



Special Selected Models

LASOS Model Selection Type	P [mW] TEM ⁰⁰	Beam Diameter [mm]	Selection Criteria**	Dimension Ø x L [mm]
▶ LGR 7609	> 2.0	0.56		23.6 x 189.5
▶ LGR 7609-01	> 2.5	0.56		23.6 x 189.5
▶ LGR 7609-02	> 2.0	0.56	PS, SL	23.6 x 189.5
▶ LGR 7609-03	> 2.5	0.56	PS, SL	23.6 x 189.5
▶ LGR 7609-S01	> 2.0	0.56	PS, SL, MF	23.6 x 189.5
▶ LGR 7608 P	> 1.5	0.63	SL	22.6 x 213.3
▶ LGR 7610 P	> 2.0	0.63	SL	22.6 x 213.3
▶ LGK 7608 P	> 1.5	0.63	SL	31.7 x 241.3
▶ LGK 7610 P	> 2.0	0.63	SL	31.7 x 241.3
▶ LGK 7621 MM	5	1.4		35 x 280
▶ LGK 7627 MM	10	0.7		45 x 400
▶ LGR 7695	> 0.75	0.49	SF random	22.6 x 130
▶ LGR 7695-01	> 0.75	0.49	SF 1,5-2,3 MHz	22.6 x 130
▶ LGR 7695-02	> 0.75	0.49	SF 2,3-2,8 MHz	22.6 x 130

Glossary of terms

Side lines (SL):

Unwanted emission besides the nominal wavelength value, often disturbing in spectroscopy and interferometry. Can be suppressed by special mirror technology.

Polarization switching (PS):

Sudden changes of the polarization of different modes especially in short tubes. Particularly disturbing when He-Ne laser tubes are used in frequency stabilized operation. Can be eliminated by special selection process.

Two longitudinal modes (LM):

Tube supports exact two orthogonally polarized longitudinal modes. Required for special methods of frequency stabilization.

Magnetic field stability (MF):

The above characteristics are also guaranteed in the presence of a strong magnetic field up to 3 G

Split frequencies (SF):

Frequency split of He-Ne laser modes in the presence of a strong magnetic field (> 200 G). Can be used for obtaining extremely high frequency stability. LASOS® has been successful in developing tubes with specific split frequencies for defined magnetic fields.

LASOS Sales Partner Locations

Please visit www.lasos.com for contact details



LASOS® He-Ne laser series



Helium-Neon laser modules
Helium-Neon laser tubes
Helium-Neon laser power supplies

Special models

LGR 7627 BF / LGR 7660 BF01	LG series
-----------------------------	-----------

Laser tube with Brewster window termination for operation with external mirrors

1 mW / 5 mW output power with appropriate mirrors.
Single mode and multimode operation possible.

Applicable for science and education



Laser module with integrated power supply 0.5...1 mW output power

Suitable for easy setup in measurement, science or education.

For details visit our website www.lasos.com or contact our sales team.

LASOS
For worldwide photonics

LASOS Lasertechnik GmbH
Franz-Loewen-Str. 2
07745 Jena
Germany

Phone: +49 3641 2944 0
Fax: +49 3641 2944 300
info@lasos.com
www.lasos.com



LASOS
For worldwide photonics



He-Ne laser modules



He-Ne laser tubes



He-Ne laser power supplies

LASOS® He-Ne laser series

The LASOS® Helium Neon laser tubes and modules have a robust mechanical design, excellent beam quality and long service life of up to 30,000 hours. Standard and customized models are available in a large variety in the spectral range red, green and yellow with output powers between 0.5 and 20 mW. Options are single mode or multimode, randomly or linear polarized and Brewster window tubes for educational and scientific purposes.

All laser models can be provided with adequate OEM and laboratory power supplies, meeting the European and American standards with the availability of approvals and certificates CDRH, IEC, CSA, CE, TÜV, UL.

The Helium Neon lasers are designed for multipurpose applications such as confocal laser scanning microscopy, spectroscopy, digital imaging, metrology, industrial measurement, positioning, alignment, aiming, testing, code scanning, medical, basic research, education or entertainment.

Customized solutions for specific applications can be provided.

- Designed for long life, low noise and high stability

- Excellent beam quality and pointing stability

- OEM power supplies
- Laboratory power supplies
- Fiber coupling
- He-Ne tubes with Brewster windows for educational purposes
- Customized modifications

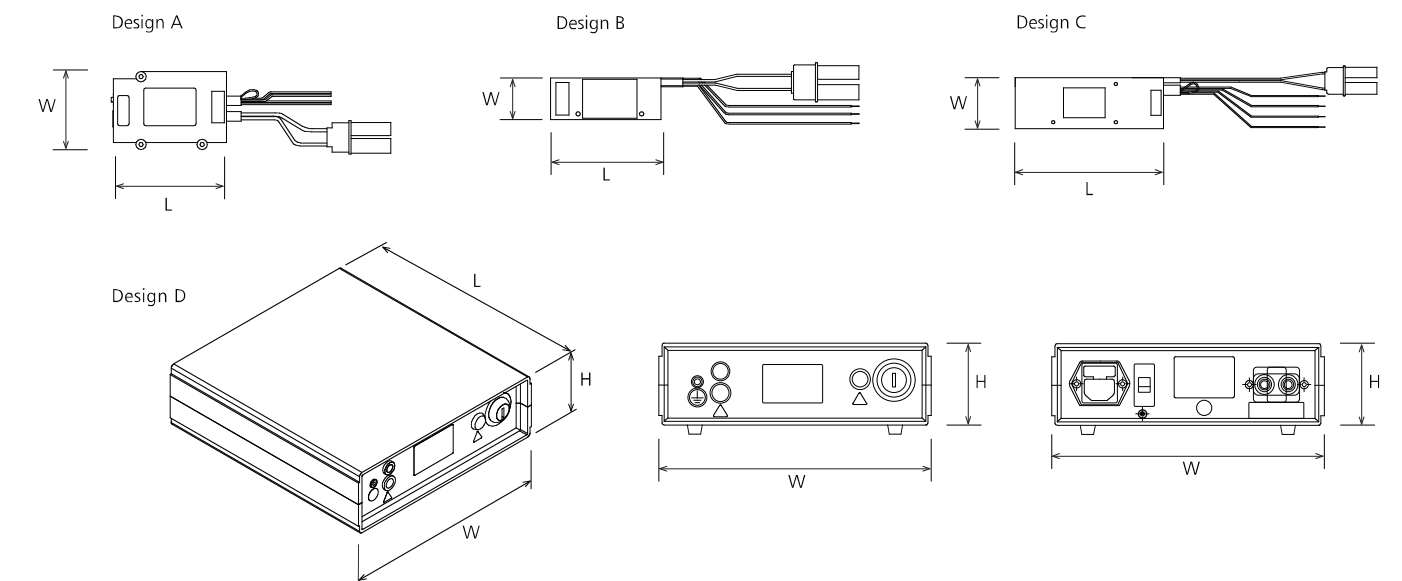
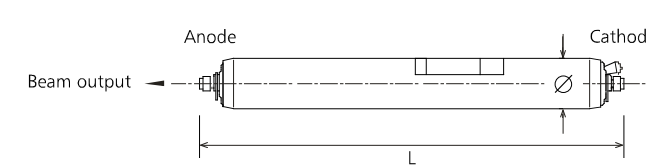
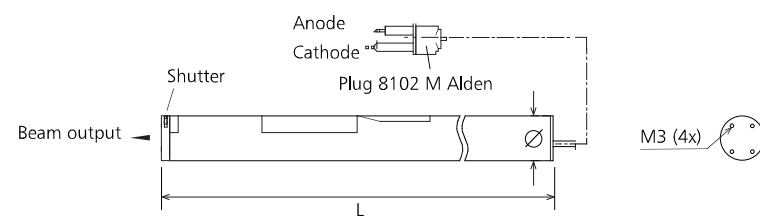
¹ With heater, ² On request

All models available and technical modifications reserved.

¹ Output at cathode side, ² With heater, ³ Available with Brewster window termination

Availability and technical modifications reserved.

Model	λ [nm]	P [mW] TEM ⁰⁰	Beam Diameter [mm]	Operating Voltage [V]	Operating Current [mA]	Dimension $\varnothing \times L$ [mm]	Model	Dimension $\varnothing \times L$ [mm]	Power Supply	Optional
LGR 7656 ¹	632.8	0.5	0.34	1050	2.8	22.5 x 118.6	LGR 7656 ¹	22.5 x 118.6	LGN 7466 A	LGN 7464
LGK 7650-2	632.8	0.5	polarized	1300	3.5	35 x 170	LGR 7650 ¹	25.25 x 146	LGN 7467 A	LGN 7465
LGK 7655	632.8	0.6		1300	3.5	35 x 170	LGR 7655	25.25 x 146	LGN 7467 A	LGN 7465
LGK 7655 S	632.8	1		1300	3.5	35 x 170	LGR 7655 S	25.25 x 146	LGN 7467 A	LGN 7465
LGK 7607	632.8	2		1700	5.0	31.7 x 241.3	LGR 7607	22.6 x 213.3	LGN 7461 A	LGN 7463
LGK 7608	632.8	1.5		1700	4.9	31.7 x 241.3	LGR 7608	22.6 x 213.3	LGN 7461 A	LGN 7463
LGK 7610	632.8	2		1700	4.9	31.7 x 241.3	LGR 7610	22.6 x 213.3	LGN 7461 A	LGN 7463
LGK 7672	632.8	2		1300	5.0	35 x 280	LGR 7621 S	30 x 255	LGN 7461 A	LGN 7463
LGK 7634	632.8	2	polarized	1500	5.0	35 x 280	LGR 7634	30 x 255	LGN 7461 A	LGN 7463
LGK 7627-8	632.8	5		2400	6.5	45 x 388	LGR 7627 ³	36.5 x 350	LGN 7460 A	LGN 7462
LGK 7628	632.8	5	polarized	2400	6.5	45 x 400	LGR 7628	36.5 x 350	LGN 7460 A	LGN 7462
LGK 7653-8	632.8	10		3000	6.5	45 x 505			LGN 7470 A4	SAN 7470 A4
LGK 7654-8	632.8	10	polarized	3000	6.5	45 x 505			LGN 7470 A4	SAN 7470 A4
LGK 7654-13	632.8	10	polarized	3000	6.5	44.25 x 490			LGN 7470 A4	SAN 7470 A4
LGK 7665	632.8	15		3700	7.0	45 x 637			LGN 7470 A	SAN 7470 A
LGK 7665 P	632.8	15	polarized	3700	7.0	45 x 637			LGN 7470 A	SAN 7470 A
LGK 7665-18	632.8	18		3700	7.0	45 x 637			LGN 7470 A	SAN 7470 A
LGK 7665 P18	632.8	18	polarized	3700	7.0	45 x 637			LGN 7470 A	SAN 7470 A
LGK 7665-20	632.8	20		3700	7.0	45 x 637			LGN 7470 A	SAN 7470 A
LGK 7512 P	594	2	polarized	2400	6.5	45 x 537			LGN 7460 A	LGN 7462
LGK 7786 P50	543	0.5	polarized	2400	6.5	45 x 485			LGN 7460 A	LGN 7462
LGK 7786 P75	543	0.75	polarized	2400	6.5	45 x 485			LGN 7460 A	LGN 7462
LGK 7786 P100	543	1	polarized	2400	6.5	45 x 485			LGN 7460 A	LGN 7462
LGK 7785-100	543	1		2800	6.5	45 x 537			LGN 7470 A4	SAN 7470 A4
LGK 7785-150	543	1.5		2800	6.5	45 x 537			LGN 7470 A4	SAN 7470 A4
LGK 7785-200	543	2		2800	6.5	45 x 537			LGN 7470 A4	SAN 7470 A4
LGK7785-250 ²	543	1.5		2800	6.5	45 x 537			LGN 7470 A4	SAN 7470 A4



Availability and technical modifications reserved.