

LASOS

For worldwide photonics

LASOS[®] LDM-XT laser series



Next generation laser diode modules



LASOS® LDM-XT laser series

The LASOS® LDM-XT laser series is the latest generation of laser diode modules designed to fulfil specific customer's needs for a particular application. Its modular concept allows adapting different requirements regarding optical and electrical properties. Whether it is delivered as an OEM component for instrumentation or for stand alone applications in science or research the customer has the choice between several options which ensure always the best price-performance ratio. With its compact and robust housing, easy setup and intelligent control the LASOS® LDM-XT laser series is the ideal choice when reliability and accuracy matter.

The laser diode modules are available in a free beam version or with a permanently aligned coupling into a single mode polarization maintaining fiber. The fiber patchcord can be designed by the customer choosing from various options regarding jacket and connectors. Additionally, the customer can choose from a range of optomechanical components like precision fiber plugs and sockets for adjustment free docking to an instrument or beam combining to transfer several beams into one collinear beam or one fiber. Based on these features the new LASOS LDM-XT series is the best choice for


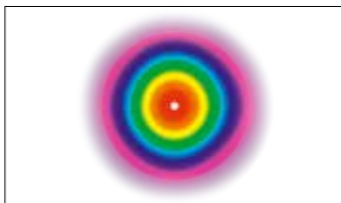
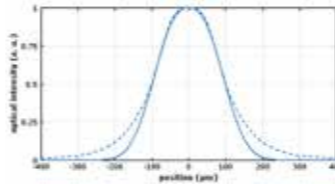
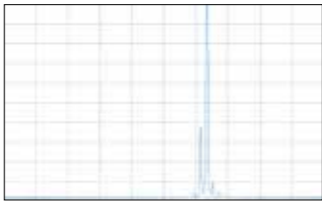
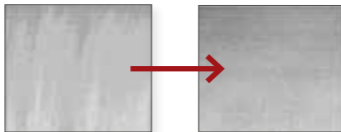

- Microscopy
- Flow Cytometry
- Bioanalytical Research
- Industrial Measurement
- Testing
- Science and Education

Wavelength ¹⁾ [nm]	Model key	Free beam (TS version)		Fiber coupled (FS version)	
		Max. output power [mW]	Standard output power [mW]	Available options	
▶ 375	DLD-XT 37560	60	n/a	C H	
▶ 395	DLD-XT 395100	100	n/a	C H	
▶ 405	VLD-XT 405300	300	180	C E H	
▶ 415	VLD-XT 415120	120	75	C E H	
▶ 425	VLD-XT 425125	125	75	C E H	
▶ 445	VLD-XT 445100	100	60	C E H	
▶ 457	BLD-XT 457100	100	60	C E H	
▶ 473	BLD-XT 473100	100	60	C E H	
▶ 488	BLD-XT 48830	30	15	C E N	
▶ 488	BLD-XT 488100	100	60	C E N	
▶ 488	BLD-XT 488200	200	120	C E H	
▶ 505	GLD-XT 50580	80	50	C E H	
▶ 515	GLD-XT 51540	40	25	C E N	
▶ 515	GLD-XT 51580	80	50	C E H	
▶ 520	GLD-XT 52050	50	30	C H	
▶ 633	RLD-XT 63390	90	55	C E H	
▶ 638	RLD-XT 638200	200	120	C E H	
▶ 660	RLD-XT 66035	35	20		L
▶ 660	RLD-XT 660120	120	75	C E H	
▶ 685	RLD-XT 68545	45	30		L
▶ 685	RLD-XT 68550	50	30	C E H	
▶ 705	SLD-XT 70540	40	25	C E H	
▶ 730	SLD-XT 73040	40	25	C E H	
▶ 785	SLD-XT 78590	90	55		L
▶ 785	SLD-XT 785200	200	120	C E H	
▶ 808	TLD-XT 808150	150	90	C E H	
▶ 830	TLD-XT 830260	260	155	C E H	

¹⁾ without option N or L: typically ± 5 nm (selection on request)

For enquiries specify: Model key Version Options, Example VLD-XT 405300 TS CH, BLD-XT 48850 FS N

Available matching options:

FS Fiber coupling 	C Circular beam 	E Enhanced beam quality 
N Narrow bandwidth (Reduced spectral width) 	H SHINE (Speckle Homogenizer and Image Noise Eraser) 	L Longitudinal singlemode (High coherence length) 



General specifications:

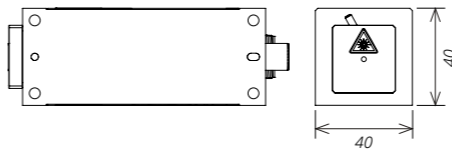
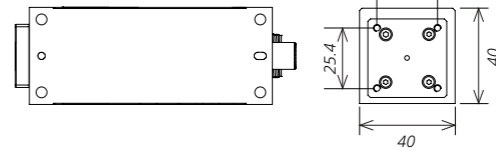
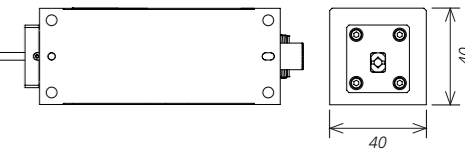

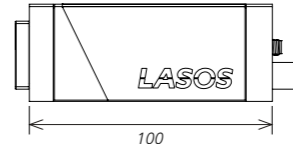
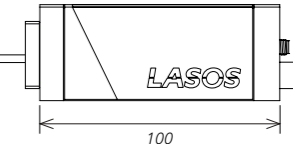
Parameter	Unit	Specification	Option	Specification	Remark
Beam diameter	mm	0.8			other diameter on request
Spot roundness		0.5...1	C	0.9...1	
Spectral width	nm	<3	N	<1	center wavelength ± 1 nm
	pm		L	<0.1	typical
Beam quality	M ²	≤1.3	E	<1.2	TEM ₀₀
Power stability	%	<±2			over 8 h
Pointing stability	μrad/K	<6			free beam
Optical noise	% rms	<0.5			30 Hz ... 10 MHz
Polarization ratio		>100:1	FS	>80:1	

Operation voltage 12 V ± 0.1 V, operation temperature 15°C ... 40°C, storage temperature -10°C ... 55°C

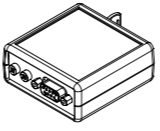
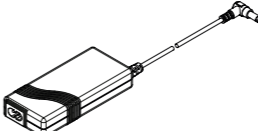
Modulation in power control mode	Analog	Digital
	Rise/Fall time	<1 μs
Max. bandwidth	1 MHz	1 MHz
Max. modulation depth	1:100 (1MHz)	1:infinity
SHINE option	Available	Available

Modulation in current control mode	Analog	Digital
	Rise/Fall time	< 10 ns
Max. bandwidth	100 MHz	1 MHz
Max. modulation depth*	1:25 (50 MHz)	1:25 (50 MHz)
SHINE option	Not available	Not available

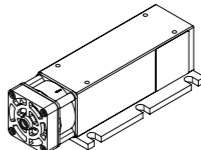
* higher bandwidth on request.

Free beam with shutter (TS version) 	Free beam with adapter plate (A version) 	Fiber coupled with shutter (FS version) 
		


Accessory: Stand alone kit for LASOS LDM-XT laser series:

SwitchBox SSL 1000, CDRH compliant 	Power supply 12 V, power cord and interface cable included 
--	---

Heat sink LHA 1200:

Operating voltage: 12 V DC
Operating current:
80 mA


Software:

LASOS Commander


LASOS

For worldwide photonics

LASOS Lasertechnik GmbH
Franz-Loewen-Str. 2, 07745 Jena
Germany

Phone: +49 3641 2944 0
Fax: +49 3641 2944 300
info@lasos.com

www.lasos.com



Europe

Benelux

Te Lintelo Systems BV
Phone: +31 316 340804
Fax: +31 316 340805
sales@tlsbv.nl
www.tlsbv.nl

Czech/Slovakia Republic

OptiXs, s.r.o.
Phone: +420 212 247 293
info@optixs.cz
www.optixs.cz

Estonia / Latvia / Lithuania

UAB Altechna
Phone: +370 5 2725738
Fax: +370 5 2723704
instruments@altechna.com
www.instruments.altechna.com

France

ACAL BFI France SAS
Phone: +33 1 60795900
Fax: +33 1 60798901
info.fr@bfioptilas.com
www.bfioptilas.com

Italy

Laser Optronik Srl
Phone: +39 2 574651
Fax: +39 2 57410127
lop@laseroptronic.it
www.laseroptronic.it

Poland

Lambda System
Phone: +48 22 622 20 14
Fax: +48 22 622 20 14
office@lambdasystem.pl
www.lambdasystem.pl

Russia

NANOINTEK Ltd.
Tel.: +7 495 332 00 39
Fax: +7 495 332 06 20
info@nanointek.com
www.nanointek.ru

Sweden / Norway / Denmark / Finland

Optonyx AB
Phone: +46 855 111410
Fax: +46 855 111415
info@optonyx.com
www.optonyx.com

United Kingdom/Ireland

Lambda Photometrics Limited
Phone: +44 1582 764334
Fax: +44 1 582 712084
contact@lambdaphoto.co.uk
www.lambdaphoto.co.uk

America

USA/Canada/Mexico

LASOS US Sales
us-sales@lasos.com
www.lasos.com

Asia

China / Hong Kong

Universal (Hong Kong) Technology
Co., Ltd. Beijing Office
Phone: +86 10 51690388407
Fax: +86 10 51690100
jacky.zhang@universaltechno.cn
www.universaltechno.cn

India

Photonics Marketing Company
Phone: +91 22 3265 7126
Fax: +91 22 2566 1863
info@photonics-marketing.com
www.lasos.com

Japan

Japan Laser Corporation
Phone: +81 3 52850861
Fax: +81 3 52850860
jlc@japanlaser.co.jp
www.japanlaser.co.jp

Korea

DongWoo Optron Co., Ltd.
Phone: +82 31 7650300
Fax: +82 31 7650222
optron@optron.co.kr
www.optron.co.kr

Taiwan

Tayhwa Technology Co., Ltd.
Phone: +886 2 23569737
Fax: +886 2 23569659
tayhwa@tayhwa.com.tw
www.tayhwa.com.tw