

LASOS® **DPSS laser series**

Directly frequency-doubled solid-state laser
8, 40 or 80 mW at 473 nm, fiber coupled



BLK 73XX FS

- Single frequency
- Outstanding long term stability
- Excellent beam quality
- Reliable and robust
- Maintenance free
- Compact design
- Suitable for OEM applications
- Customization on request



Directly frequency-doubled solid-state laser

Specifications BLK F series:

LASOS® DPSS laser series

The LASOS® DPSS laser series provide excellent beam quality in a variety of wavelengths based on the latest progress in solid state laser technology.

The LASOS® DPSS laser series offers a reliable and compact single frequency laser source in the VIS.

The LASOS® DPSS laser series provide the ideal products for applications in:

- Spectroscopy
- Interferometry
- Confocal and fluorescence microscopy
- Bioanalytical research
- Particle measurements
- Metrology
- Industrial measurements
- Medical
- Science and education

Customized solutions for specific applications are possible

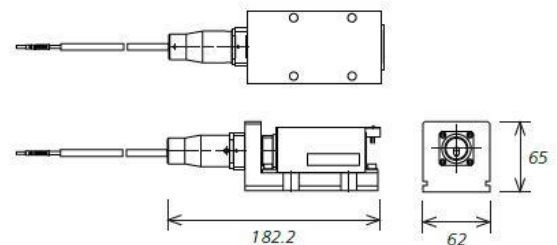
Wavelength	473 nm ± 0.5 nm
Wavelength stability (8 h)	±0.002 nm
Spectral Linewidth ¹	< 1 MHz
Output power ex fiber ²	8, 40 or 80 mW
Output power stability within 8 h	< ±1.0 %
Noise 30 Hz ... 10 MHz	≤ 0.5 % rms
Warm up period	< 10 min
Polarization ratio	≥ 100:1
Controller	CKL 2405, CKL 1005

¹Allan Deviation for sample period < 0.5 s

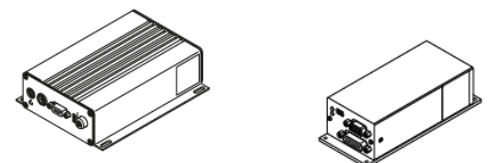
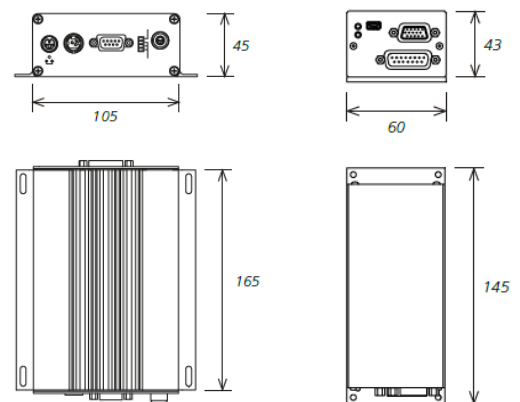
²coupling efficiency: typ. 70-80%

Options on request

Dimensions [mm]:
Laser Head



Controller
(CKL 2405/CKL 1005)



LASOS

For worldwide photonics

LASOS Lasertechnik GmbH
Franz-Loewen-Str. 2
07745 Jena
Germany

Phone: +49 (0) 3641 2944 – 0
Fax: +49 (0) 3641 2944 – 300
sales@lasos.com

www.lasos.com