

**LASOS®** **DPSS laser series**

Directly frequency-doubled solid-state laser  
**16 mW at 594 nm, fiber coupled**



**YLK 9416 FS**

- Outstanding long term stability
- Excellent beam quality
- Reliable and robust
- Maintenance free
- Compact design
- Suitable for OEM applications
- Customization on request



## Directly frequency-doubled solid-state laser

### Specifications YLK F series:

#### LASOS® DPSS laser series

The LASOS® DPSS laser series provide excellent beam quality in a variety of wavelengths based on the latest progress in solid state laser technology.

The LASOS® DPSS laser series offers a reliable and compact single frequency laser source in the VIS.

The LASOS® DPSS laser series provide the ideal products for applications in:

- Spectroscopy
- Interferometry
- Confocal and fluorescence microscopy
- Bioanalytical research
- Particle measurements
- Metrology
- Industrial measurements
- Medical
- Science and education

Customized solutions for specific applications are possible

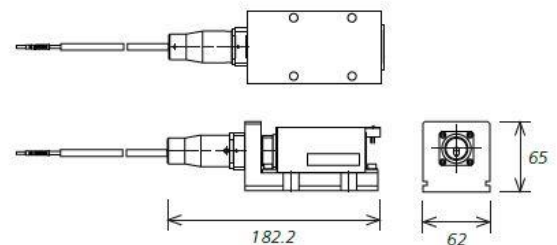
Wavelength	594 nm ± 0.5 nm
Wavelength stability (8 h)	±0.002 nm
Spectral Linewidth <sup>1</sup>	multimode
Output power ex fiber <sup>2</sup>	16 mW
Output power stability within 8 h	< ±1.0 %
Noise 30 Hz ... 10 MHz	≤ 0.5 % rms
Warm up period	< 10 min
Polarization ratio	≥ 100:1
Controller	CKL 2405, CKL 1005

<sup>1</sup>Allan Deviation for sample period < 0.5 s

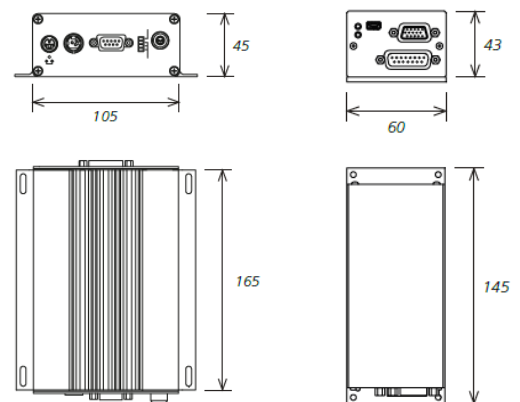
<sup>2</sup>coupling efficiency: typ. 70-80%

Options on request

Dimensions [mm]:  
Laser Head



Controller  
(CKL 2405/CKL 1005)



# LASOS

For worldwide photonics

LASOS Lasertechnik GmbH  
Franz-Loewen-Str. 2  
07745 Jena  
Germany

Phone: +49 (0) 3641 2944 – 0  
Fax: +49 (0) 3641 2944 – 300  
sales@lasos.com

[www.lasos.com](http://www.lasos.com)

